

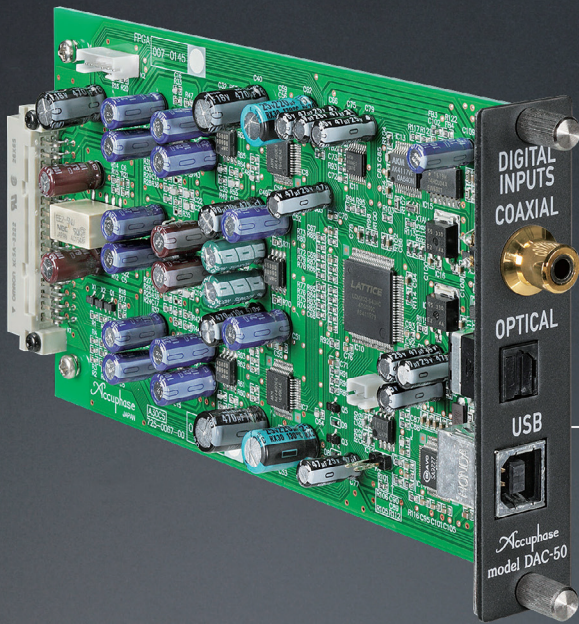
Accuphase

DIGITAL INPUT BOARD

DAC-50

Supported Sampling Frequencies

[DSD] 11.2 MHz / 1-bit
[PCM] 384 kHz / 32-bit



Digital Input Board With USB, Optical, and Coaxial Inputs

Convert signals from various digital source components into high-quality analog signals

The DAC-50 is an optional digital input board that supports a broad range of digital sound sources and is equipped with a high-precision MDS type D/A converter for optimal sound quality. The converter uses AK4490EQ chips from Asahi Kasei Microdevices in a double parallel configuration per channel. Installing the board in a slot on the rear panel of a supported Accuphase component provides direct input capability for signals from digital components for high-grade playback. Three types of inputs are provided: USB (Type B), OPTICAL (for optical fiber cable), and COAXIAL (for coaxial cable). The USB input handles signals up to 11.2 MHz / 1-bit [DSD] and 384 kHz / 32-bit [PCM], the coaxial input supports up to 192 kHz / 24-bit and the optical input up to 96 kHz / 24-bit.

Input selection method

C-2120, E-650, E-600, E-470, E-370, E-270

When the DAC input selector button or DAC input selector switch on the respective component is used to select the DAC-50 signal, the sampling frequency of the locked signal is shown on the display.



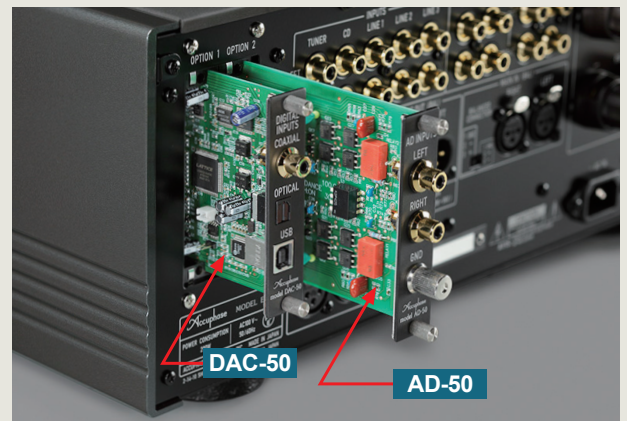
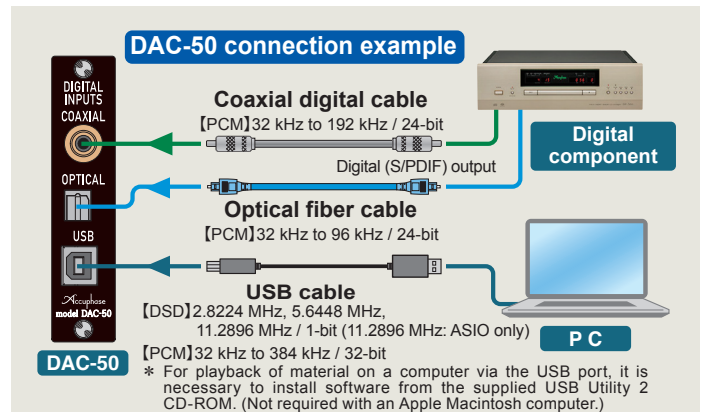
Sampling frequency display example

Other models



Input selector

- If multiple digital input signals are supplied at the same time, and OPTION is selected with the input selector, the unit automatically locks onto a signal using the following priority sequence: **COAXIAL** → **OPTICAL** → **USB**.
- To exclude a signal from being selected, either disconnect the cable from the component that is not needed for playback, or turn the power switch of that component off.



Installation example DAC-50 installed in option board slot on rear panel

DAC-50 Specifications

"2MDS" type D/A converter

- **USB**
Format: USB 2.0 Hi-Speed (480 Mbps) compliant
Sampling frequencies: 2.8224 MHz, 5.6448 MHz, 11.2896 MHz (1-bit 2-channel DSD) (11.2896 MHz: ASIO only)
32 kHz – 384 kHz (16 – 32-bit 2-channel PCM respectively)
Suitable cable: USB 2.0 cable with Type B connector (max. 2 m)
- **OPTICAL**
Format: JEITA CP-1212 compliant
Sampling frequencies: 32 kHz – 96 kHz (16 – 24-bit 2-channel PCM respectively)
Suitable cable: JEITA standard optical fiber cable
- **COAXIAL**
Format: IEC 60958 AES-3 compliant
Sampling frequencies: 32 kHz – 192 kHz (16 – 24-bit 2-channel PCM respectively)
Suitable cable: 75-ohm coaxial digital cable

Supplied accessory ● USB Utility 2 CD-ROM

※Specifications and design are subject to change without notice for improvements.

● About sampling frequency display when DAC-50 is installed in C-2120, E-600, E-470, E-370, or E-270

Sampling frequencies up to 192 kHz are shown as is. Signals with the following sampling frequencies are handled without problem, but the indication is always "192.0 kHz":
[DSD] 2.8224 MHz, 5.6448 MHz, 11.2896 MHz
[PCM] 352.8 kHz – 384 kHz

Supported models

- **Preamplifiers**
C-2000, C-2110, C-2120, C-245 (※), CX-260 (※)
 - **Integrated amplifiers**
E-213, E-250, E-260, E-270, E-307 (※), E-308 (※), E-350, E-360, E-370, E-408, E-450, E-460, E-470, E-530, E-550, E-560, E-600, E-650
- Input selection, sampling frequency display and other specifications differ depending on the model.
(※: Installing two DAC-XX boards is not supported.)

- * The capability for playback of music data via USB depends on the operating system and music playback software of the computer.
- * For information on settings for USB and connection methods, please refer to the computer documentation.

Accuphase

ANALOG DISC INPUT BOARD

AD-50

MC/MM Phono Equalizer Amplifier



Analog Disc Input Board

High-performance phono equalizer amp for playback of analog records

The AD-50 is a high-performance phono equalizer amp board suitable for use in various Accuphase preamplifiers or integrated amplifiers (※1).

It features latest circuit topology and carefully selected high-quality materials for lowest noise and extremely precise RIAA equalization with minimum deviation. This brings out the sonic character of every phono cartridge, letting the listener fully enjoy the enchanting musical qualities of analog records.

MC/MM switching can be performed with the controls on the front panel of the amplifier (※2). For MC, the impedance most suitable for the cartridge in use can be selected (30/100/300 ohms). The board also incorporates a subsonic filter to cut ultra low frequency noise and woofer flutter caused by record warps which could otherwise affect reproduction quality in the audible spectrum.

MC/MM switching

MC/MM selector button and LED indicator

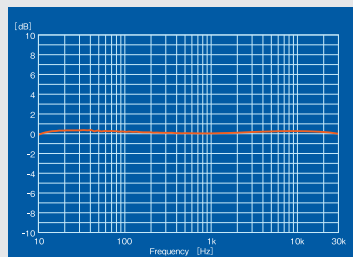


MC/MM

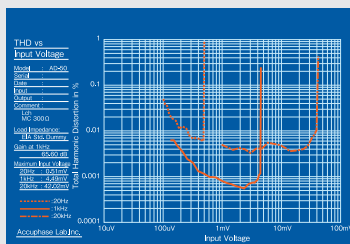
MC/MM switching can be performed with the MC/MM selector button

E-650 indication example

Performance graphs

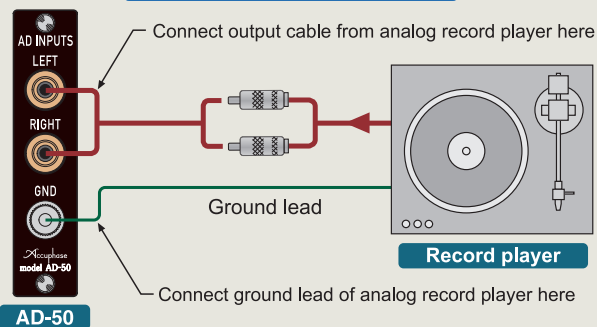


RIAA deviation with MC head amplifier

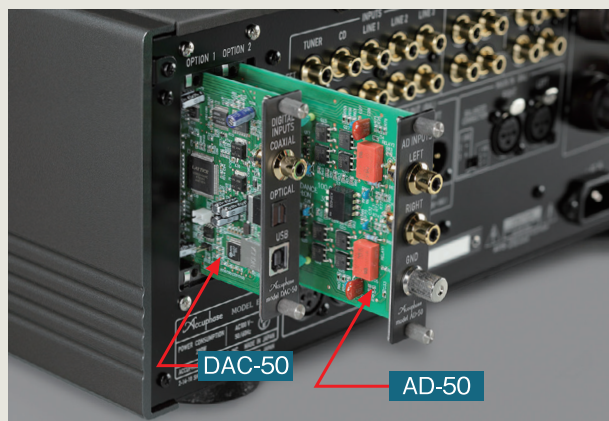


Input voltage/THD characteristics with MC head amplifier

AD-50 connection example



AD-50



Installation example AD-50 installed in rear panel option slot

AD-50 Specifications

MC/MM Phono Equalizer Amplifier

- **MC/MM switching type**
- **Gain**
 - MC: 66 dB
 - MM: 40 dB
- **Input impedance**
 - MC: 30/100/300 ohms
 - MM: 47 kilohms
- **Subsonic filter**
 - 25 Hz -12 dB/octave

※1 : Accuphase models that support AD-50 installation

C-2000, C-2110, C-2120, C-245, C-265, CX-260
E-211, E-212, E-213, E-250, E-260, E-270, E-306V, E-307, E-308, E-350, E-360, E-370, E-406V, E-407, E-408, E-450, E-460, E-470, E-530, E-550, E-560, E-600, E-650

※2 : Accuphase models that support front panel MC/MM switching

C-2110, C-2120, E-250, E-260, E-270, E-350, E-360, E-370, E-450, E-460, E-470, E-550, E-560, E-600, E-650

Accuphase

ACCUPHASE LABORATORY, INC.